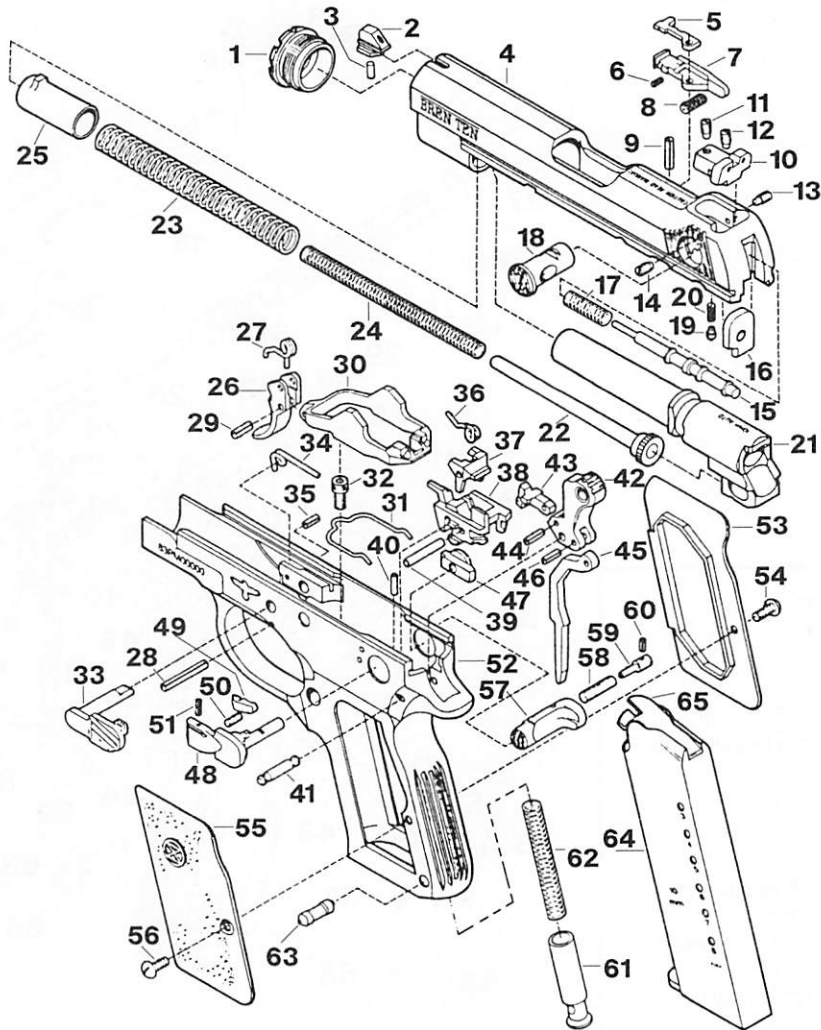
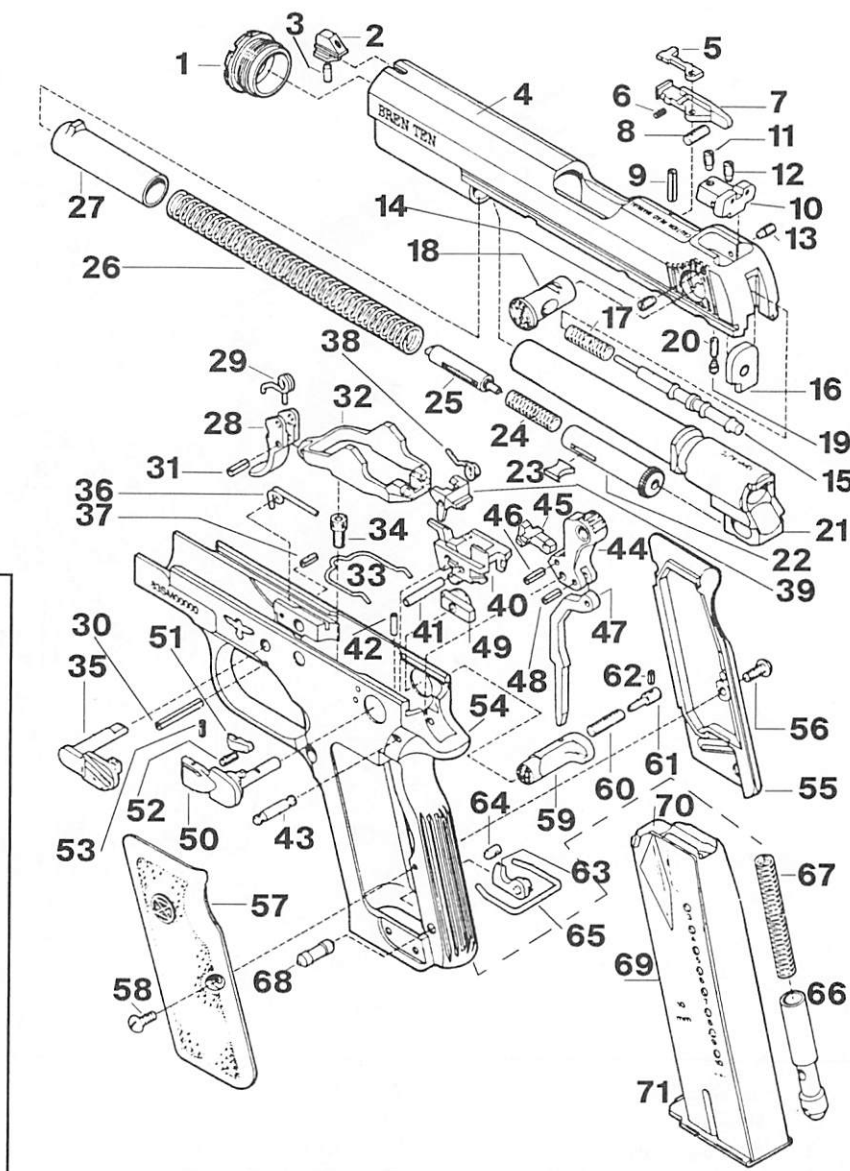


Pocket Auto



- | | | | | | |
|----|--|----|--|------------------------|----------------------------------|
| 1 | Barrel Bushing | 22 | Recoil Spring Guide | 45 | Hammer Strut |
| 2 | Front Sight | 23 | Recoil Spring, Outer | 46 | Strut Pin |
| 3 | Front Sight Plug | 24 | Recoil Spring, Inner | 47 | Thumb Safety Bushing |
| 4 | Slide | 25 | Recoil Spring Tube/Barrel Bushing Lock | 48 | Thumb Safety-Lever |
| 5 | Loaded Chamber Indicator | 26 | Trigger | 49 | Thumb Safety-Lever Detent |
| 6 | Loaded Chamber Indicator Spring | 27 | Trigger Return Spring | 50 | Thumb Safety-Lever Detent Spring |
| 7 | Extractor | 28 | Trigger Pivot Pin | 51 | Thumb Safety-Lever Detent Pin |
| 8 | Extractor Spring | 29 | Trigger Bar Pivot Pin | 52 | Receiver (Frame) |
| 9 | Extractor Pin | 30 | Trigger Bar | 53 | Right Stock |
| 10 | Rear Sight | 31 | Trigger Bar Spring | 54 | Right Stock Screw |
| 11 | Forward Rear Sight Elevation Adjustment Screw | 32 | Trigger Bar Spring Screw | 55 | Left Stock |
| 12 | Rearward Rear Sight Elevation Adjustment Screw | 33 | Slide Stop | 56 | Left Stock Screw |
| 13 | Right Rear Sight Windage Adjustment Screw | 34 | Slide Stop Spring | 57 | Magazine Release |
| 14 | Left Rear Sight Windage Adjustment Screw | 35 | Slide Stop Spring Pin | 58 | Magazine Release Spring |
| 15 | Firing Pin | 36 | Sear Spring | 59 | Magazine Release Lock |
| 16 | Firing Pin Retainer | 37 | Sear | 60 | Magazine Release Lock Pin |
| 17 | Firing Pin Spring | 38 | Sear Housing | 61 | Mainspring Retainer |
| 18 | Firing Pin Block | 39 | Sear Pin | 62 | Mainspring |
| 19 | Firing Pin Block Detent | 40 | Hammer Pin Retainer | 63 | Mainspring Retainer Pin |
| 20 | Firing Pin Block Detent Spring | 41 | Hammer Pin | 64 | Magazine Body |
| 21 | Barrel | 42 | Hammer | 65 | Magazine Follower |
| | | 43 | Double Action Hook | | |
| | | 44 | Hook Pin | | |
| | | | | Parts Not Shown | |
| | | | | | Magazine Spring |

Combat Auto



- 1 Barrel Bushing
- 2 Front Sight
- 3 Front Sight Plug
- 4 Slide
- 5 Loaded Chamber Indicator
- 6 Loaded Chamber Indicator Spring
- 7 Extractor
- 8 Extractor Spring
- 9 Extractor Pin
- 10 Rear Sight
- 11 Forward Rear Sight Elevation Adjustment Screw
- 12 Rearward Rear Sight Elevation Adjustment Screw
- 13 Right Rear Sight Windage Adjustment Screw
- 14 Left Rear Sight Windage Adjustment Screw
- 15 Firing Pin
- 16 Firing Pin Retainer
- 17 Firing Pin Spring
- 18 Firing Pin Block
- 19 Firing Pin Block Detent
- 20 Firing Pin Block Detent Spring
- 21 Barrel
- 22 Recoil Spring Guide
- 23 Screwdriver Lock Key
- 24 Recoil Buffer Spring
- 25 Screwdriver/Recoil Buffer
- 26 Recoil Spring
- 27 Recoil Spring Tube/Barrel Bushing Lock
- 28 Trigger
- 29 Trigger Return Spring
- 30 Trigger Pivot Pin
- 31 Trigger Bar Pivot Pin
- 32 Trigger Bar
- 33 Trigger Bar Spring
- 34 Trigger Bar Spring Screw
- 35 Slide Stop
- 36 Slide Stop Spring
- 37 Slide Stop Spring Pin

- 38 Sear Spring
- 39 Sear
- 40 Sear Housing
- 41 Sear Pin
- 42 Hammer Pin Retainer
- 43 Hammer Pin
- 44 Hammer
- 45 Double Action Hook
- 46 Hook Pin
- 47 Hammer Strut
- 48 Strut Pin
- 49 Thumb Safety Bushing
- 50 Thumb Safety-Lever
- 51 Thumb Safety-Lever Detent
- 52 Thumb Safety-Lever Detent Spring
- 53 Thumb Safety-Lever Detent Pin
- 54 Receiver (Frame)
- 55 Right Stock
- 56 Right Stock Screw
- 57 Left Stock

- 58 Left Stock Screw
- 59 Magazine Release
- 60 Magazine Release Spring
- 61 Magazine Release Lock
- 62 Magazine Release Lock Pin
- 63 Magazine Catch Selector Cam
- 64 Magazine Catch Selector Keeper
- 65 Magazine Catch Selector Keeper Spring
- 66 Lanyard Loop/Mainspring Retainer
- 67 Mainspring
- 68 Lanyard Loop/Mainspring Retainer Pin
- 69 Magazine Body
- 70 Magazine Follower
- 71 Magazine Floorplate

Parts Not Shown

- Magazine Floorplate Retainer
- Magazine Spring